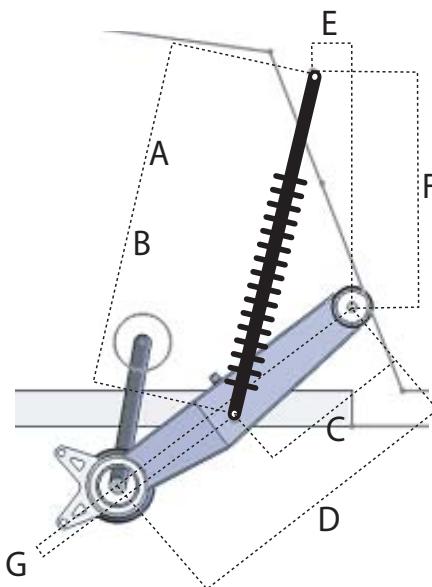




Commander MTS SUSPENSION SYSTEM

REAR SHOCK SPECS



GRAPHICAL REPRESENTATION ONLY,
NOT TRUE TO SIZE

Size of Swing Arms:

+4" wider per side
+2" longer

This suspension system is designed to be used with stock length shocks or equivalent. Heavier springs and different valving will most likely be required.

Dimensions

- A 14.125" Compressed length, MIN
- B 20.125" Extended length, MAX
- C 9.14" Lower mount distance from pivot (straight line)
- D 16.71" Swing arm length (pivot to axle center)
- E 2.22" Top shock mount horizontal offset from pivot verticle axis
- F 13.25" Top shock mount offset from pivot horizontal axis (straight line)
- G -1.0" Lower shock mount from swing arm axis
- 3.75" Max spring diameter
- 6.0" Usable shaft travel
- 2.28 to 1 Static leverage ratio
- 13.70" Wheel travel
- 3.50" Ground clearance with 27" dia. tire

Shock Eye Details (same as stock)

Upper

Width= 1.25"
Max Dia.= 2.0"
Bolt Size= 10mm

Lower

Width= 1.25"
Max Dia.= 1.7"
Bolt Size= 10mm



Weight of Vehicle: 1400 to 1600 lbs, not including occupants
Weight Distribution: 53% to Rear, 47% to Front