



Fire Extinguisher Support Kit

(Part #715003734) (Instruction #487802362)

DISCLAIMER

The purchaser understands, recognizes, and agrees that the suitability of any part sold or manufactured by Lone Star Racing for a particular application is the purchaser's decision and that the purchaser is not relying on the skill or judgment of Lone Star Racing regarding suitability of any product or service. Prices and product designs are subject to change without notice. All parts manufactured by Lone Star Racing have a one year limited warranty against defects in material and workmanship. Liability is limited to repair or replacement of the defective parts to the original purchaser only. This warranty shall not apply to any product which has been repaired or altered in any way so as in our judgment to affect its performance, including those parts that have been subject to misuse, abuse, negligence or any other occurrence beyond the control of Lone Star Racing. Lone Star Racing reserves the right to determine if claims are legitimate. We do not warranty moving parts such as ball joints, bearings, or bushings. Lone Star Racing is not liable for consequential damage or injury due to the use or misuse of any product built or sold by Lone Star Racing.

The illustrations in this document show typical construction of the different assemblies and may not reproduce the full detail or exact shape of the parts: however, they represent parts that have the same or similar function.

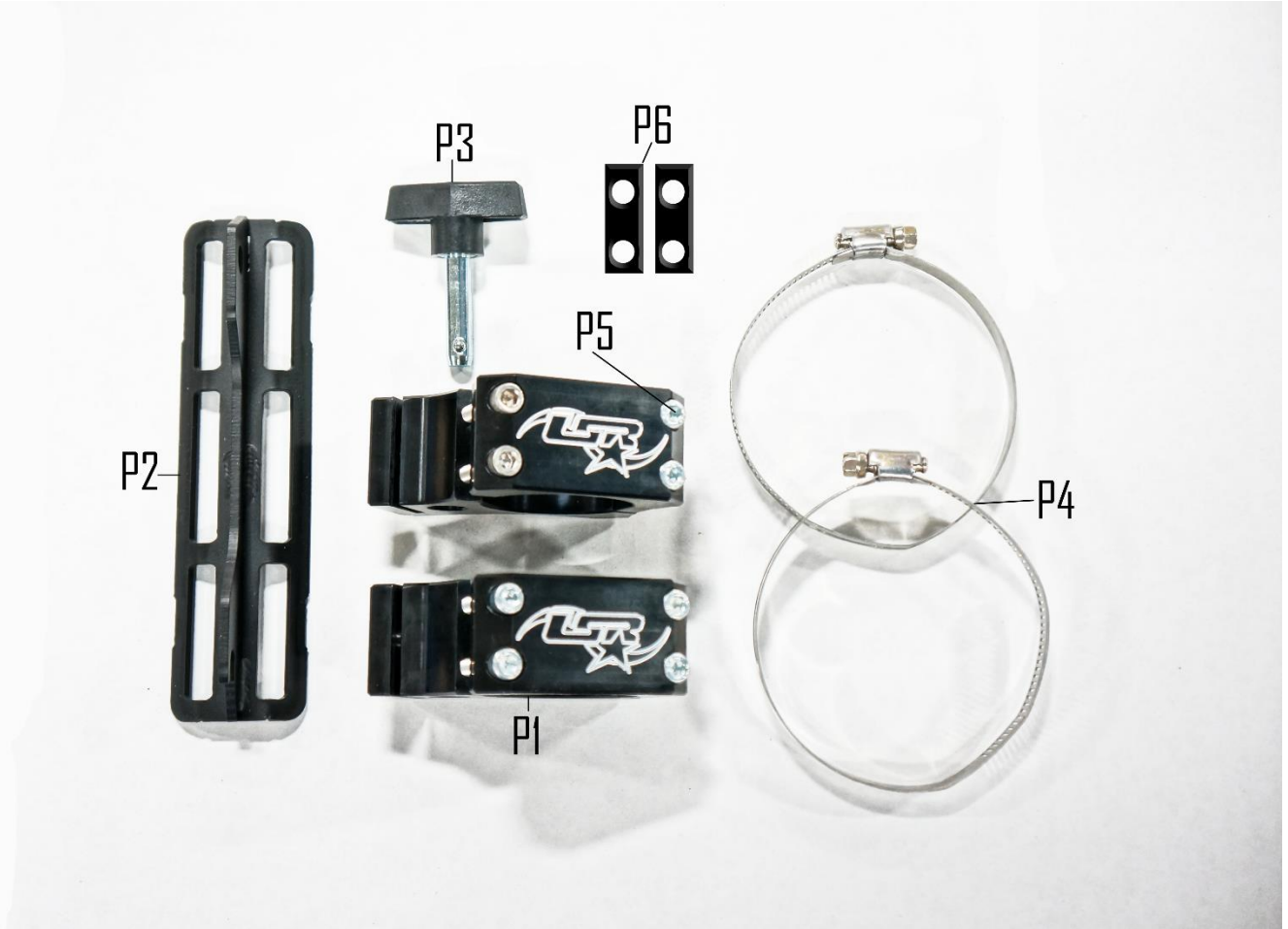
WARNING

- **This instruction sheet MUST be given to the purchaser.**
- Read and understand these instructions before installing product
- This product does not provide additional roll over protection
- This product is not intended as an anchor point for pulling
- Do not use product if there are any signs of damage
- For safety reasons, this kit must be installed by an authorized BRP dealer.
- This kit is designed for specific applicable models only (authorized BRP dealers will confirm model(s)). It is not recommended for units other than the one (those) for which it was sold.
- Torque wrench tightening specifications must strictly be adhered to.
- Should removal of a locking device (e.g. lock tabs, self-locking fasteners, etc.) be required when undergoing disassembly/assembly, always replace with a new one.
- Some components may be HOT. Always wait for engine to cool down before performing work.
- Always wear EYE PROTECTION AND APPROPRIATE GLOVES when using power tools.
- Unless otherwise specified, engine must be OFF when performing any operation on the vehicle.
- Always be aware of parts that can move, such as wheels, transmission components, etc.

Installation time is approximately .25 hours



Parts Included:



<u>#</u>	<u>Description</u>	<u>Quantity</u>
P1	Roll Cage Mounting Clamps	2
P2	Fire Extinguisher Mounting Bracket	1
P3	Quick Release Pin	1
P4	Hose Clamps	2
P5	M6x1.5x40 Bolts	8
P6	Roll Cage Mounting Clamp Spacers	2



Tools needed:

- Flat head screw driver
- 5mm allen wrench

Installation:

1. Locate an area on the roll cage that is suitable for the fire extinguisher to be mounted. Make sure the area is free from obstruction and the fire extinguisher can quickly and easily be accessed.
2. Take the lower roll cage mount, this is the mount that has the steel pin pressed into it, and attach it on to the roll cage using the M6x1.5x40 bolts. Be sure the supplied spacer is positioned onto the bolts as shown. Hand tighten only at this time.(fig. 2-1)

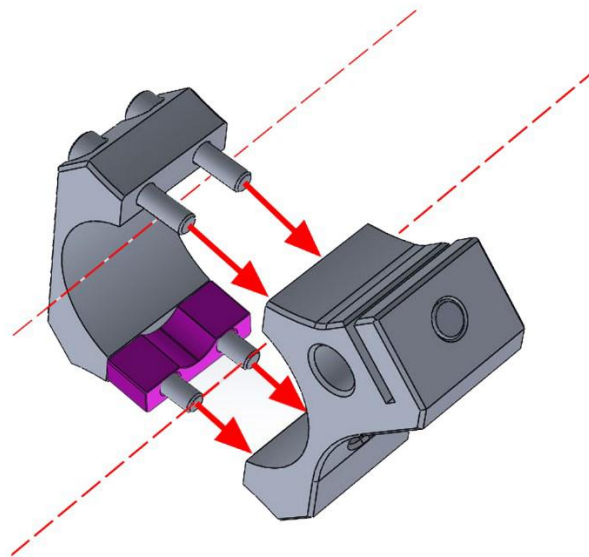


Figure 2-1



3. Take the upper roll cage mount, this is the one with the hole for the quick release pin, and attach the fire extinguisher mounting bracket using the quick release pin. This will help locate the distance between the two roll cage mounts. Once attached you will take the upper roll cage mount and fire extinguisher bracket and slide it down onto the lower mount.(fig 3-1)

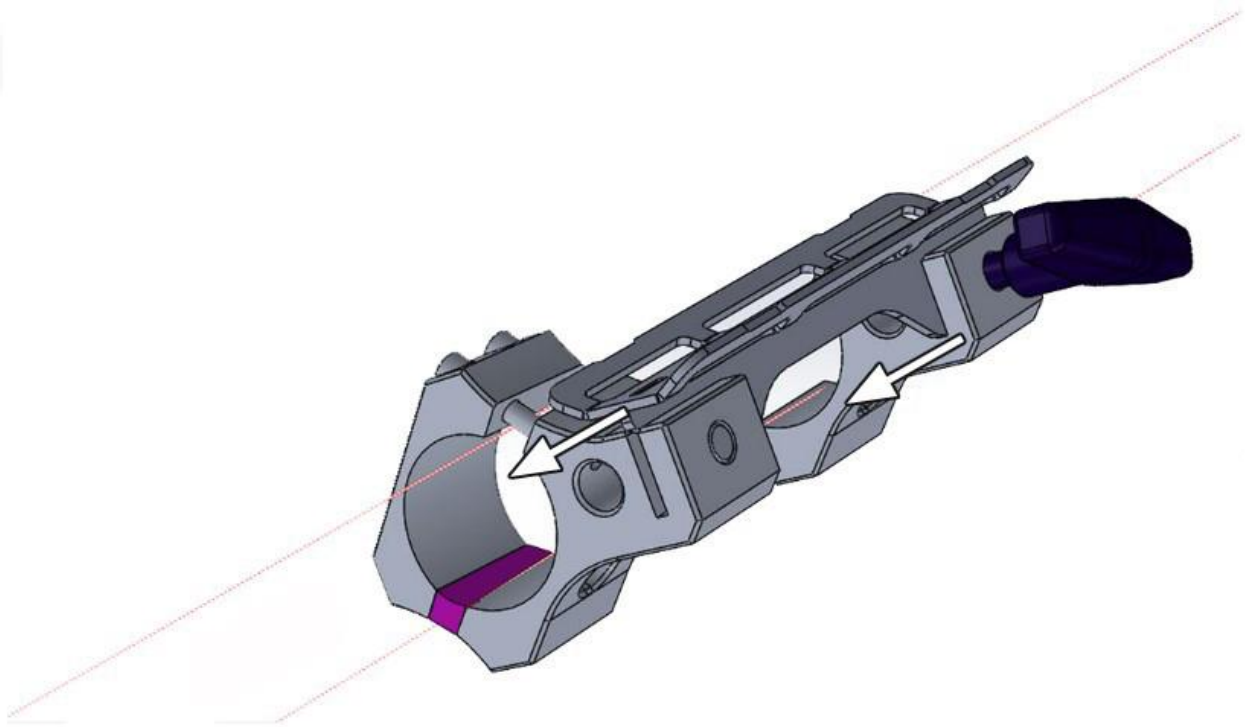


Figure 3-1

4. Once the fire extinguisher bracket is locked in place you can attach the other half of the upper roll cage mount using the four M6x1.5x40



bolts.(fig 4-1) Now you can torque all eight of the M6x1.5x40 to 18 lb. in. Tighten in an alternating pattern until all are tight.

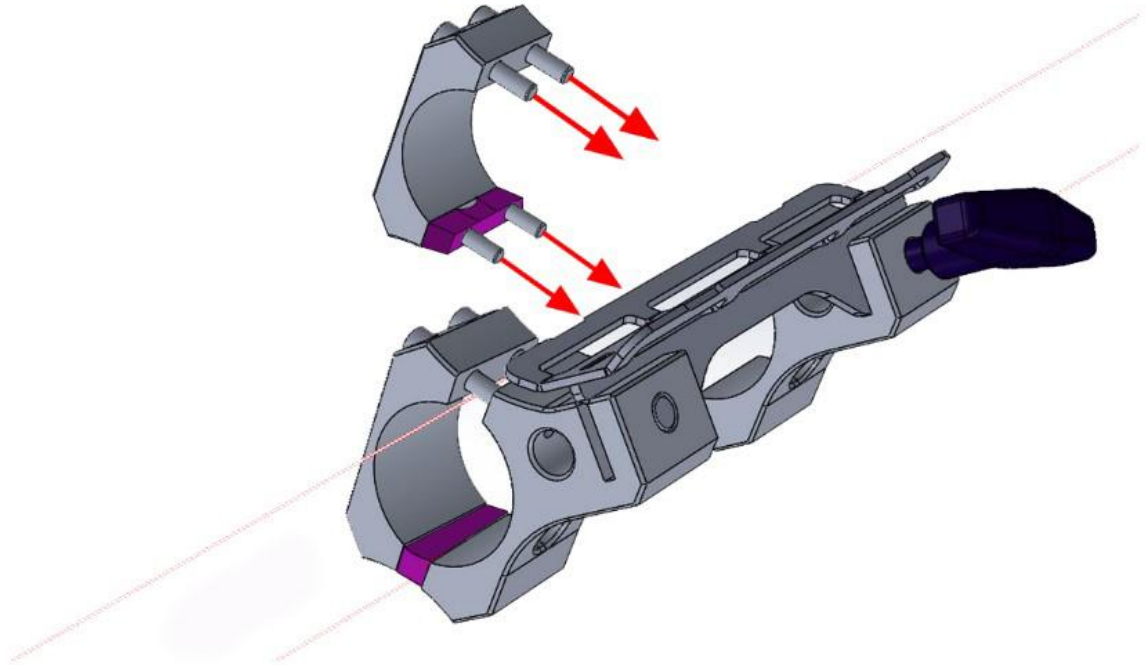


Figure 4-1

5. Pull quick release pin and remove fire extinguisher mounting bracket. Attach the two hose clamps by insert through the mounting bracket slots.(fig 5-1)

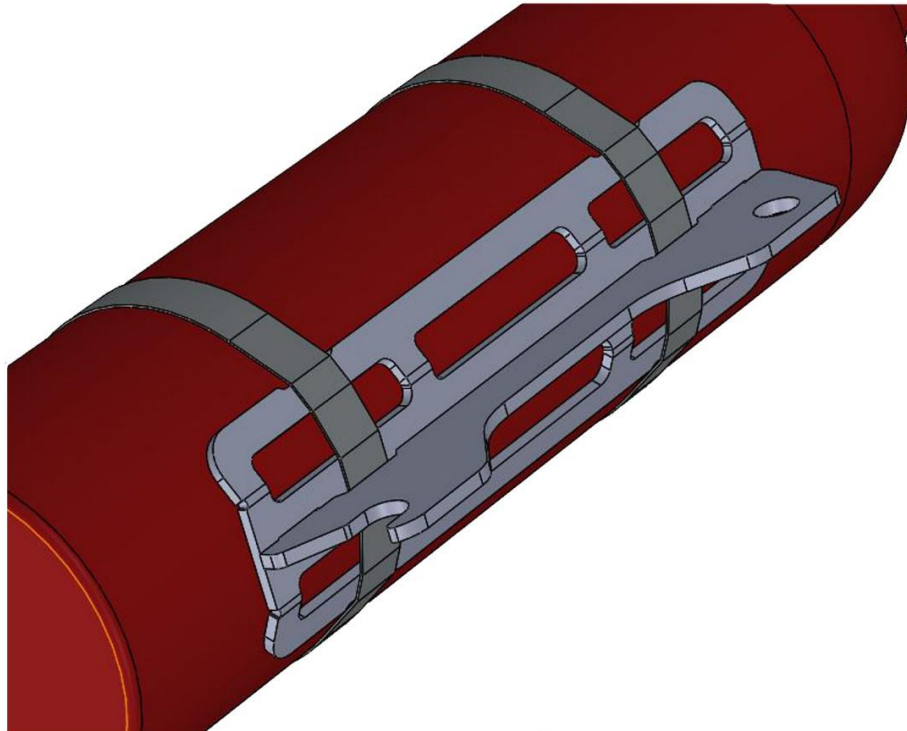


Figure 5-1

6. Put fire extinguisher in place and tighten hose clamps. Reinstall fire extinguisher and mounting bracket onto clamps.