



Aluminum Roof with X-Brace

(Part #715003923, 715004160) (Instruction #487802350)

DISCLAIMER

The purchaser understands, recognizes, and agrees that the suitability of any part sold or manufactured by Lone Star Racing for a particular application is the purchaser's decision and that the purchaser is not relying on the skill or judgment of Lone Star Racing regarding suitability of any product or service. Prices and product designs are subject to change without notice. All parts manufactured by Lone Star Racing have a one year limited warranty against defects in material and workmanship. Liability is limited to repair or replacement of the defective parts to the original purchaser only. This warranty shall not apply to any product which has been repaired or altered in any way so as in our judgment to affect its performance, including those parts that have been subject to misuse, abuse, negligence or any other occurrence beyond the control of Lone Star Racing. Lone Star Racing reserves the right to determine if claims are legitimate. We do not warranty moving parts such as ball joints, bearings, or bushings. Lone Star Racing is not liable for consequential damage or injury due to the use or misuse of any product built or sold by Lone Star Racing.

The illustrations in this document show typical construction of the different assemblies and may not reproduce the full detail or exact shape of the parts: however, they represent parts that have the same or similar function.

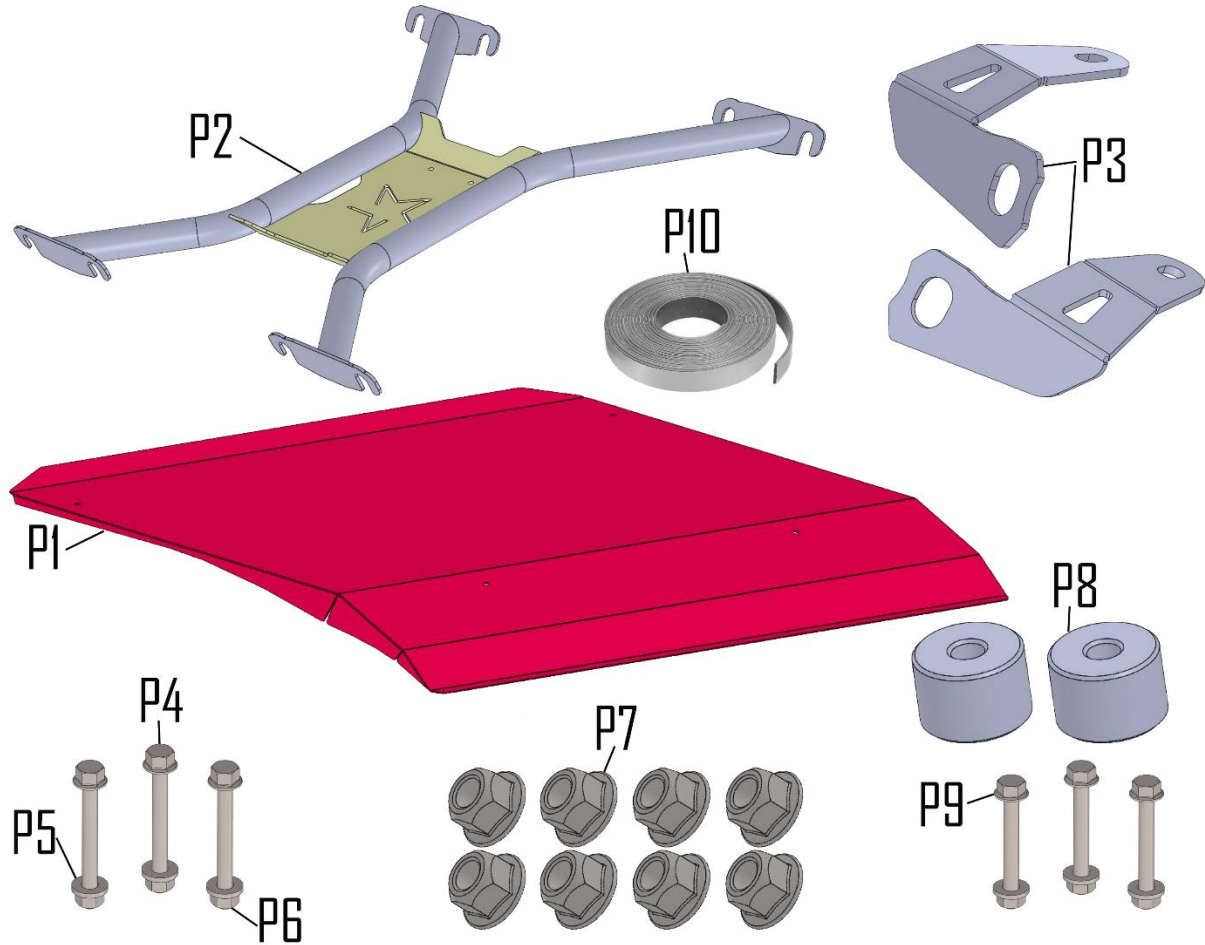
WARNING

- **This instruction sheet MUST be given to the purchaser.**
- Read and understand these instructions before installing product
- This product does not provide additional roll over protection
- This product is not intended as an anchor point for pulling
- Do not use product if there are any signs of damage
- For safety reasons, this kit must be installed by an authorized BRP dealer.
- This kit is designed for specific applicable models only (authorized BRP dealers will confirm model(s)). It is not recommended for units other than the one (those) for which it was sold.
- Torque wrench tightening specifications must strictly be adhered to.
- Should removal of a locking device (e.g. lock tabs, self-locking fasteners, etc.) be required when undergoing disassembly/assembly, always replace with a new one.
- Some components may be HOT. Always wait for engine to cool down before performing work.
- Always wear EYE PROTECTION AND APPROPRIATE GLOVES when using power tools.
- Unless otherwise specified, engine must be OFF when performing any operation on the vehicle.
- Always be aware of parts that can move, such as wheels, transmission components, etc.

Installation time is approximately .5 hour



Parts Included:



<u>#</u>	<u>Description</u>	<u>Quantity</u>
P1	Aluminum Roof	1
P2	X-Brace	1
P3	Roof Mount Brackets	2
P4	M6x1.0x30 Bolts	3
P5	M6 Flat Washers	10
P6	M6 Nylon Locknuts	6
P7	M12x1.75 Nylon Locknuts	8
P8	Roof Spacers	2
P9	M6x1.0x20 Bolts	3
P10	Weather Stripping Tape	1



Tools needed:

- 4mm allen wrench
- 10mm socket
- 18mm socket

Installation:

1. Remove factory X-Brace and install the Lone Star Racing X-Brace and attach using the M12x1.75 nylon locknuts. Do not install the front outer M12x1.75 nylon locknuts at this time. torque all other bolts to 63 lb. ft.(fig 1-1)

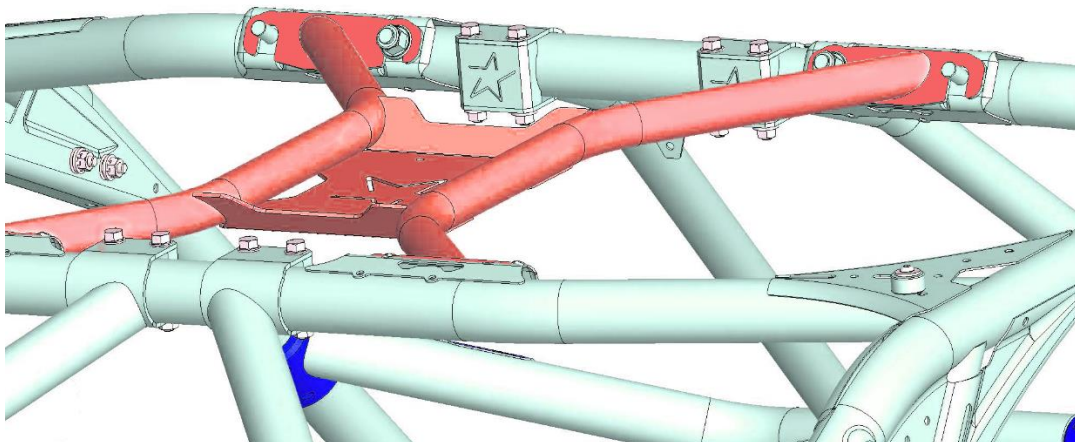


Figure 1-1



2. Attach the left and right side roof mount brackets and use remaining M12x1.75 nylon locknuts to secure them in place. Hand tighten nuts only at this time.(fig 2-1)

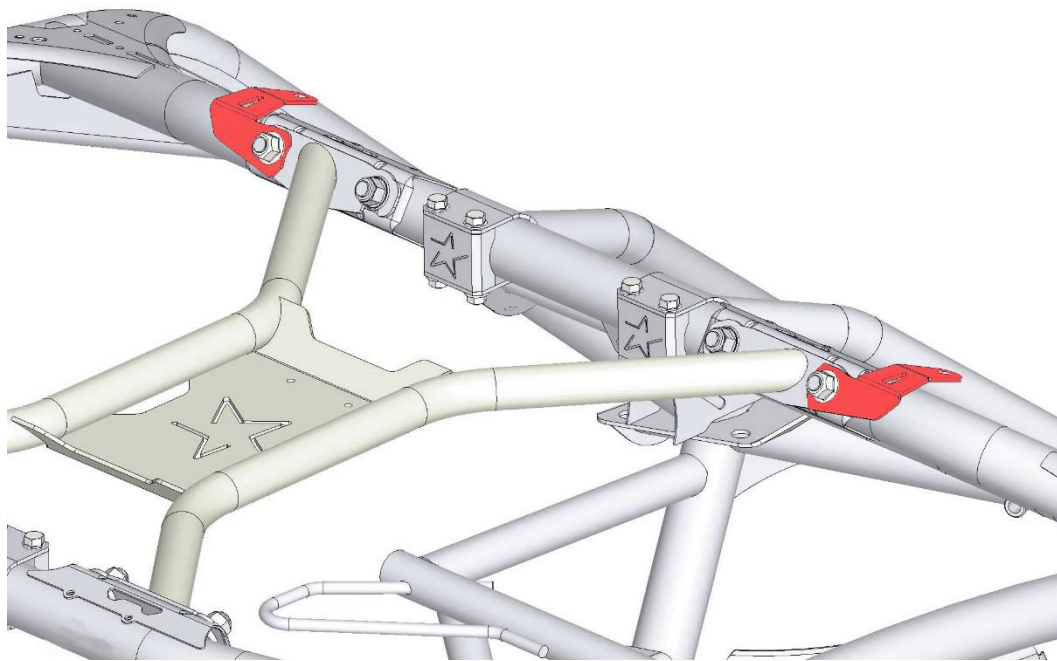


Figure 2-1

3. Set roof in place temporarily and make note of where the roof touches the roll cage. Now take the weather stripping tape and apply it to the roll cage anywhere the roof touches the cage. This is to prevent any vibrations.



4. Set the roof in place and line up the front mounting holes with the front mounting brackets. Secure roof to front mounting brackets with the M6x1.0x20 and use an M6 washer on top of the roof and bottom side of roof mounting brackets along with an M6 nylon locknut. Tighten bolts until all of the slack is taken out but leave slightly loose to allow the roof to move.
5. Secure the rear section of the roof in place by placing the roof spacer underneath the roof and above the roll cage on both sides. Attach using the M6x1.0x30 bolts again using an M6 washer on the top of the roof and on the larger M6 washers on the bottom of the roll cage along with an M6 nylon locknut. Hand tighten only at this time.(fig 5-1)

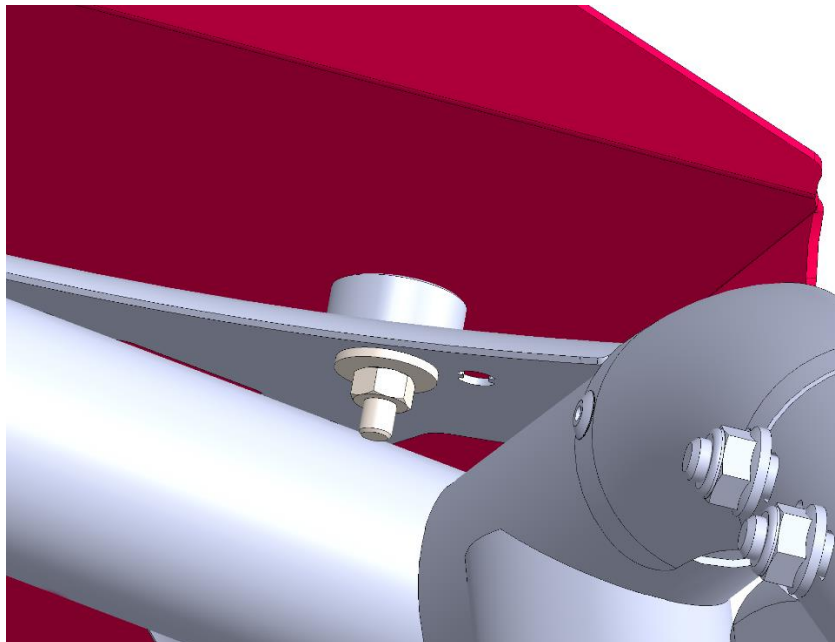


Figure 5-1



6. Torque the two front M12x1.75 nuts that are holding the front mounting brackets to 63 lb. ft.

7. Align roof and Torque the two front M6x1.0x20 bolts to 89 lb. in.

8. Press rear section of roof firmly against cage and torque two rear M6x1.0x30 bolts to 89 lb. in.