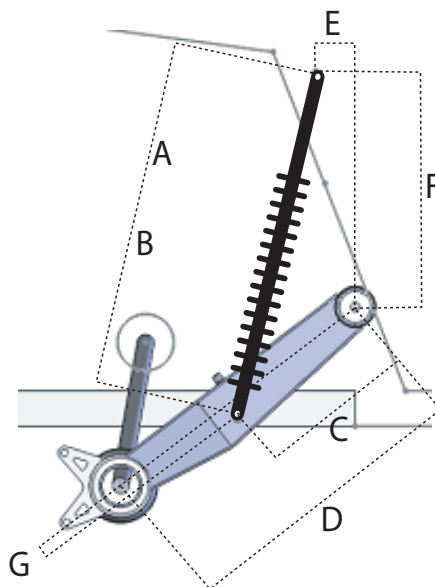




Commander XTR SUSPENSION SYSTEM

REAR SHOCK SPECS



GRAPHICAL REPRESENTATION ONLY,
NOT TRUE TO SIZE

Size of Swing Arms:

- +6" wider per side
- +2" longer

Dimensions

- A 14.87" Compressed length, MIN
- B 22.34" Extended length, MAX
- C 11.33" Lower mount distance from pivot (straight line)
- D 16.71" Swing arm length (pivot to axle center)
- E 2.22" Top shock mount horizontal offset from pivot verticle axis
- F 13.25" Top shock mount offset from pivot horizontal axis (straight line)
- G -1.29" Lower shock mount from swing arm axis
- 3.75" Max spring diameter
- 7.47" Usable shaft travel
- 2.02 to 1 Static leverage ratio
- 15.1" Wheel travel
- 3.00" Ground clearance with 27" dia. tire

Shock Eye Details (same as stock)

Upper	Lower
Width= 1.25"	Width= 1.25"
Max Dia.= 2.0"	Max Dia.= 1.7"
Bolt Size= 10mm	Bolt Size= 10mm



Weight of Vehicle: 1400 to 1600 lbs, not including occupants
Weight Distribution: 53% to Rear, 47% to Front